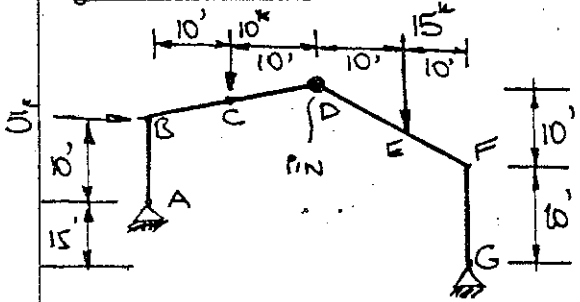


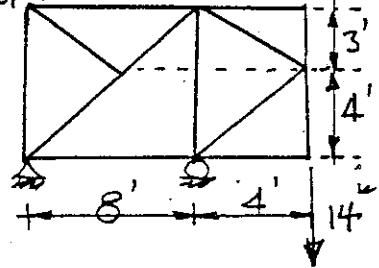
Eng. & Arch. Library

PROBLEM III AXIAL, SHEAR, MOMENT

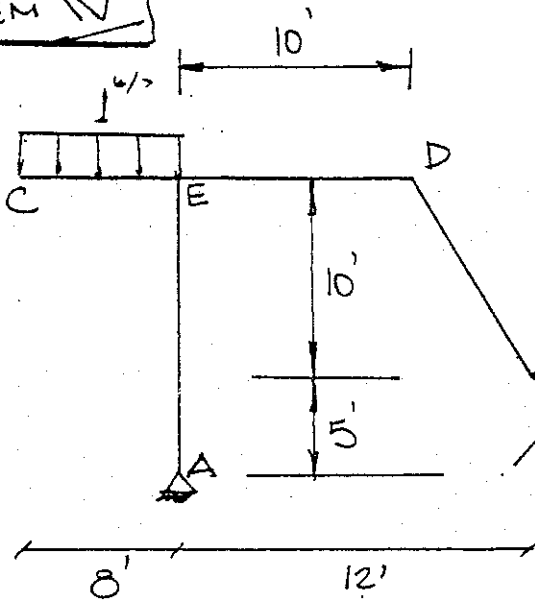


PROBLEM V AXIAL FORCES IN ALL MEMBERS. JOINT & SECTION METHOD.

DETERMINANCY? & STABILITY

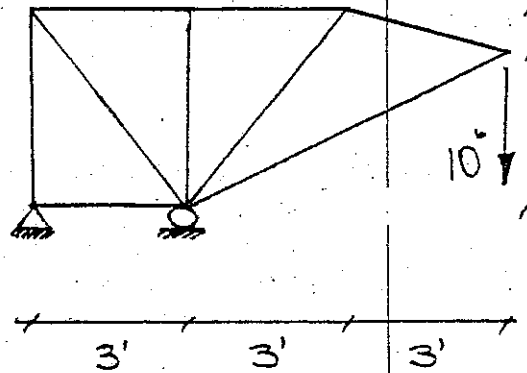


PROBLEM IV AXIAL, SHEAR, MOMENT



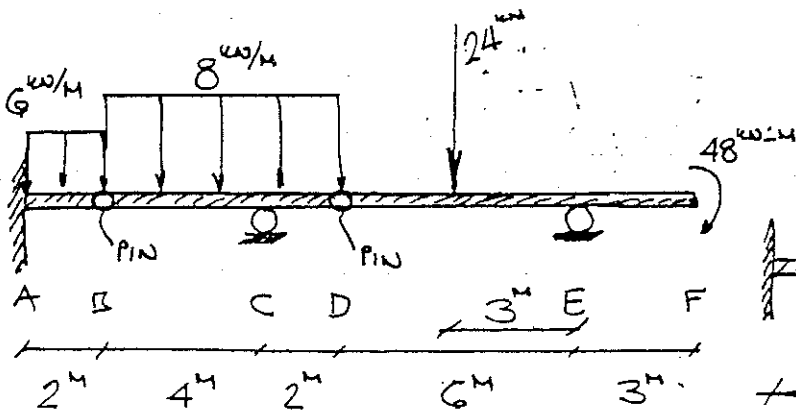
PROBLEM VI AXIAL FORCES IN ALL MEMBERS. JOINT & SECTION METHOD.

DETERMINANCY? & STABILITY



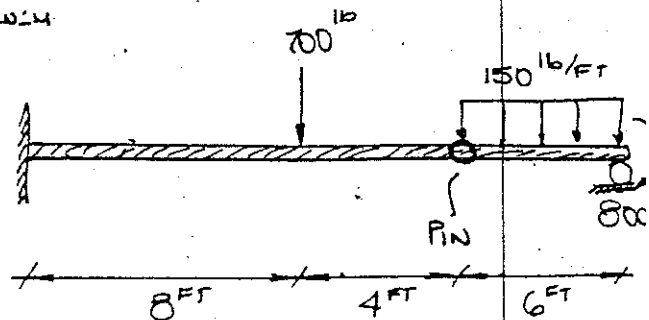
PROBLEM VII

DRAW SHEAR & BENDING MOMENT DIAGRAMS?

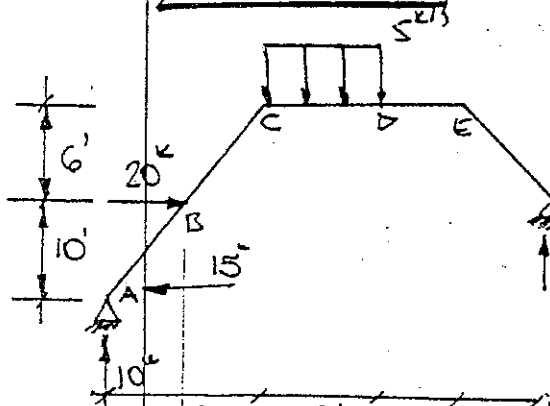


PROBLEM VIII

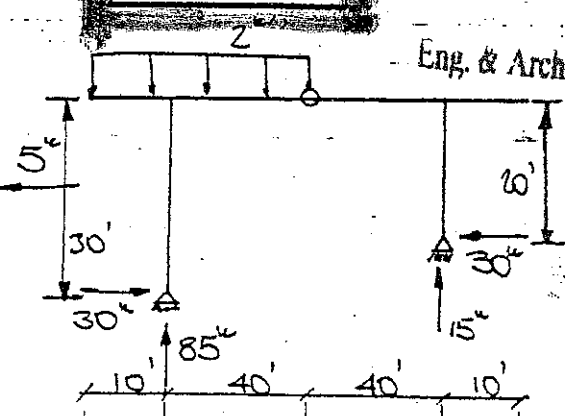
DRAW SHEAR & MOMENT DIAGRAM



PROBLEM I



PROBLEM II

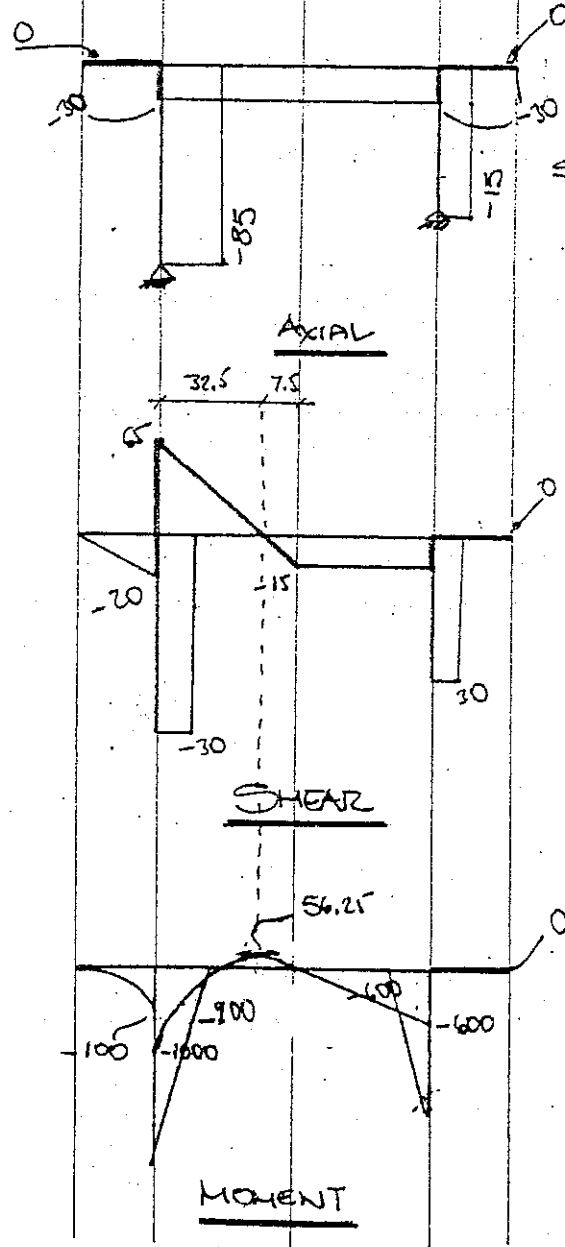
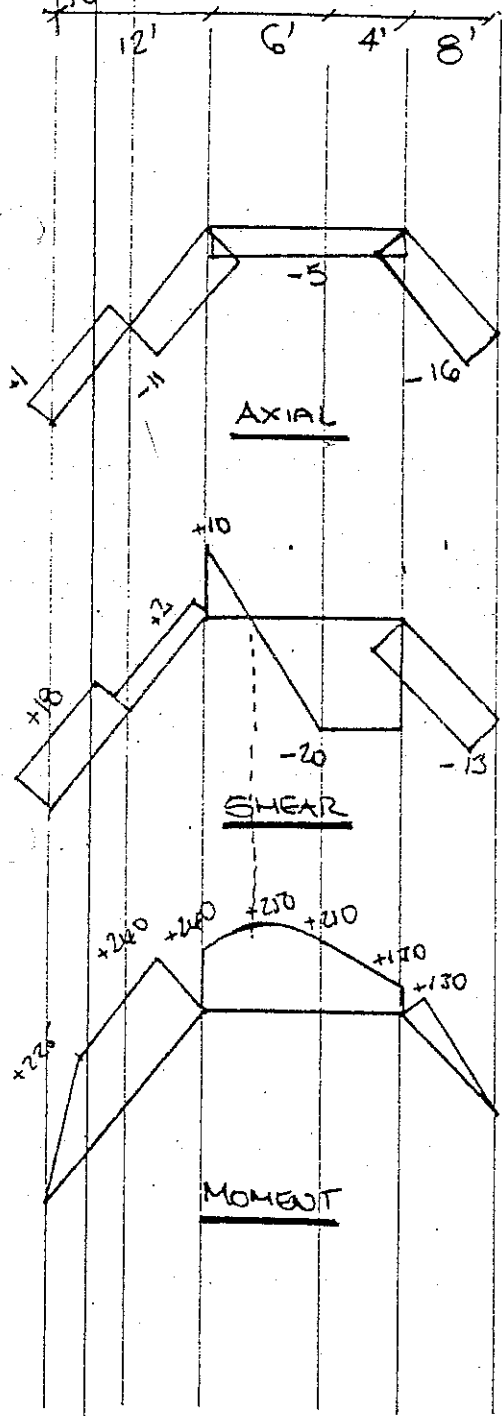


FEATURES:

- 2D FRAME
- INTERNAL HINGE
- CAOTT LEVELERS
- DISTRIBUTED LOAD
- TENSION FIBER

SOLUTION

- (a) INTERNAL DETERMINAN
- (b) EXTERNAL DETERMINAN
- (c) FIND REACTIO
- (d) DRAW AXIAL SHEAR/MOMENT DIAG
- (2) STABILITY



3. SECTION METHOD:SECTION 1-1: KNOWING $T_{CH} = 0, T_{BC} = 0$

Eng. & Arch. Library

$$\sum M_B = 0 \rightarrow \text{FIND } T_{GE}$$

$$\sum M_C = 0 \rightarrow \text{FIND } T_{IE}$$

$$\text{CHECK } \sum F_y = 0$$

SECTION 2-2: KNOWING $T_{CH} = 0, T_{GE}$ FROM ABOVE

$$\sum M_G = 0 \rightarrow \text{FIND } T_{AB}$$

$$\sum F_y = 0 \rightarrow \text{FIND } T_{GD}$$

SECTION 3-3: KNOWING $T_{FG} = 0, T_{ED} = 0$

$$\sum F_y = 0 \rightarrow \text{FIND } T_{AD}$$